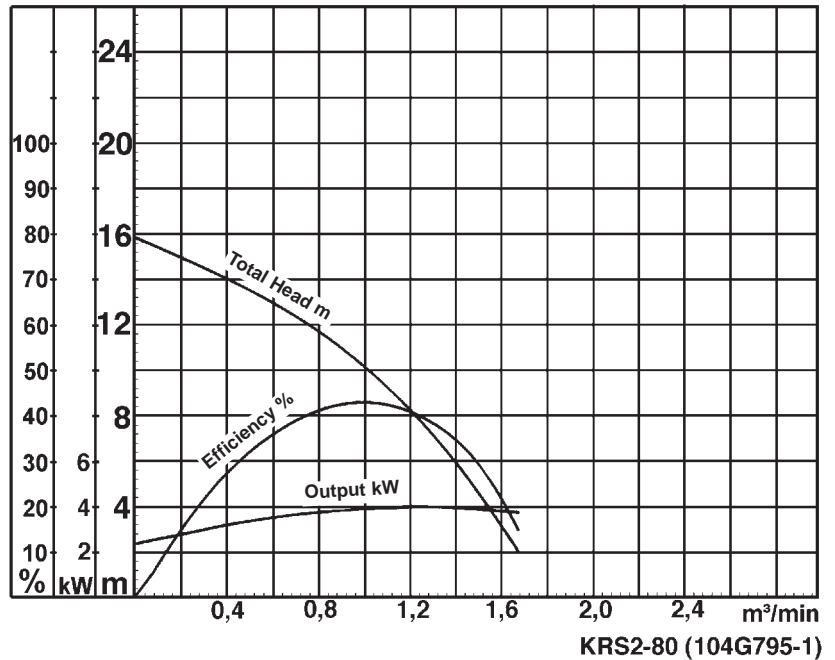
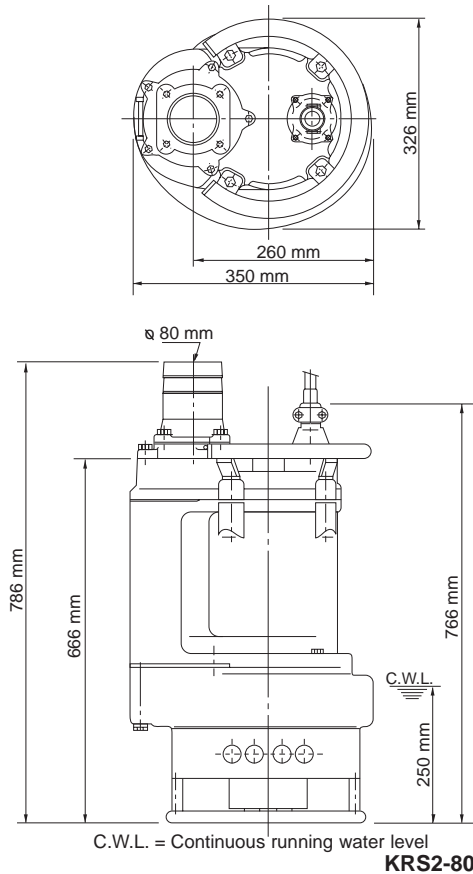


Data Sheet KRS2-80



Classification

Electric submersible pump
 Protection class IP68
 Depth of submersion max. 30m
 Open type impeller with Agitator
 Max. solid handling 30mm
 Suitable for sludge, slurry, liquids containing sandy mud and bentonite

Electric Motor

Dry-type submersible induction motor,
 Insulation class E, 4 poles, 1435 r.p.m.
 Direct on line start
 Voltage: 400V, 50Hz, 3-phase
 Power input: 5,29kW
 Power output: 4,00kW
 Nominal current: 9,5A
 Start current: 83,0A

Electric Cable

20m H07RN-F 4Cx2,5mm²

Motor Protection

Circle thermal protector
 (snap-action bi-metal device)

Shaft Seal

Double mechanical seal in oil bath
 additional lubrication by oil lifting device
 Primary Seal:
 silicon carbide on silicon carbide
 Secondary Seal:
 silicon carbide on silicon carbide

Bearings

Shielded ball bearings, maintenance-free

Materials

Impeller:	Chromium iron casting
Agitator:	Chromium iron casting
Casing:	FC200 (EN-GJL-200)
Suction Plate:	Chromium iron casting
Motor frame:	FC150 (EN-GJL-150)
Shaft:	SUS420J2 (EN-X30Cr13)

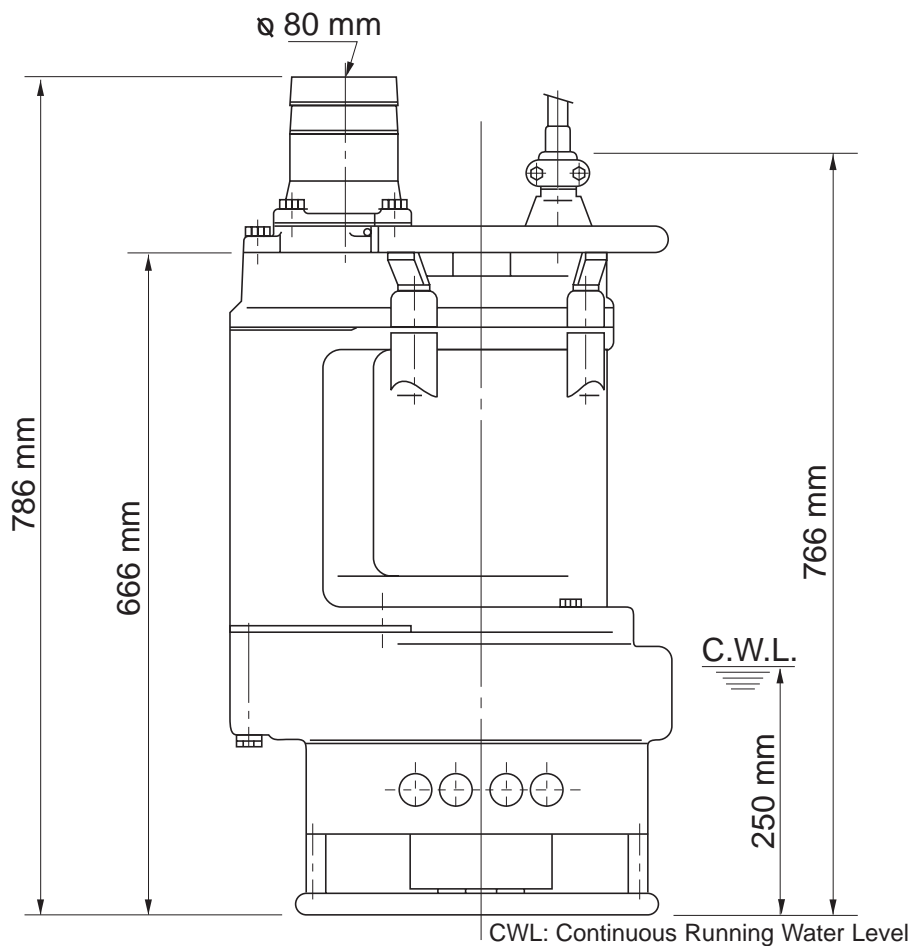
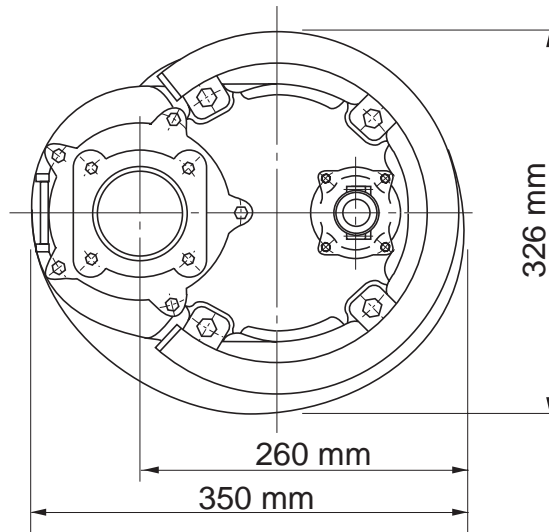
Discharge Connection

3" (80mm) hose coupling

Weight

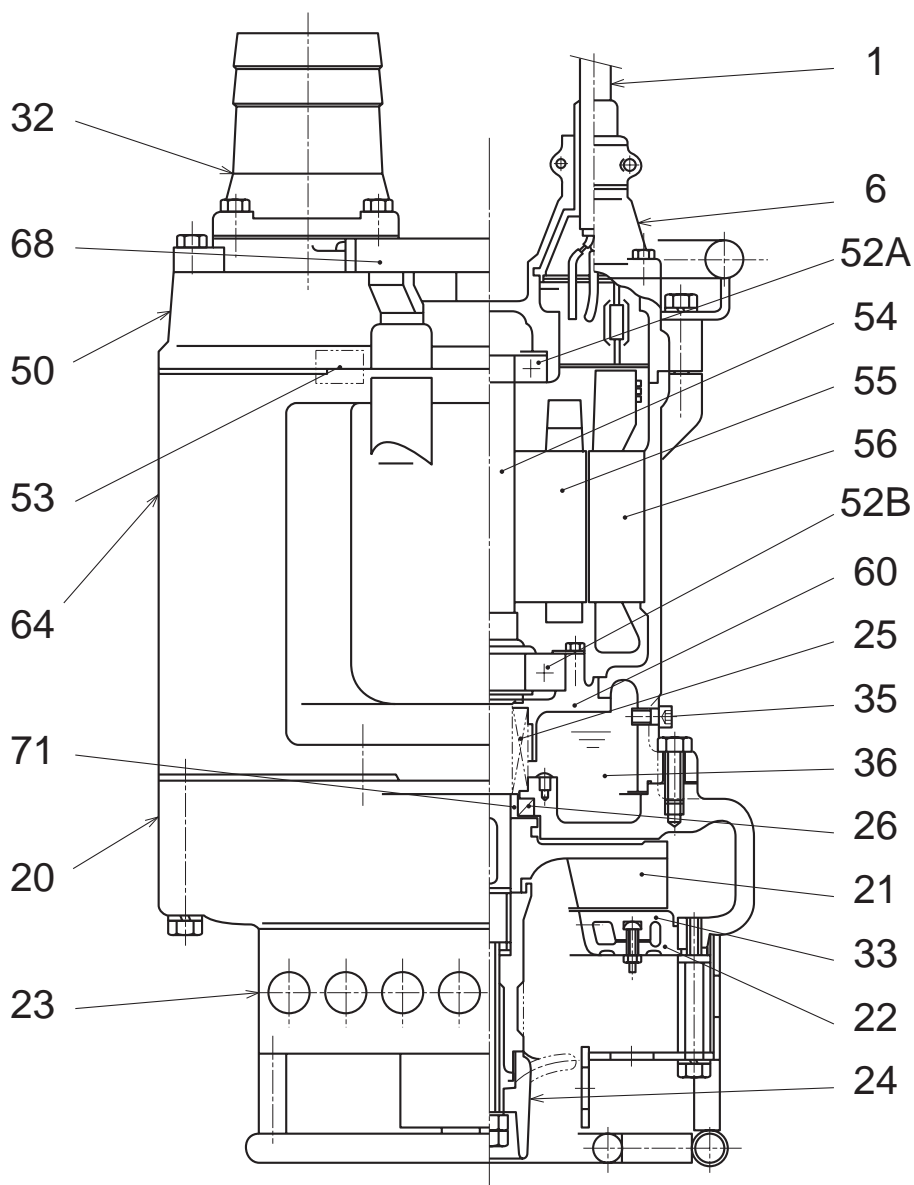
105 kg (dry weight of the pump without cable)

Dimensional Drawing KRS2-80



KRS2-80

Sectional Drawing KRS2-80



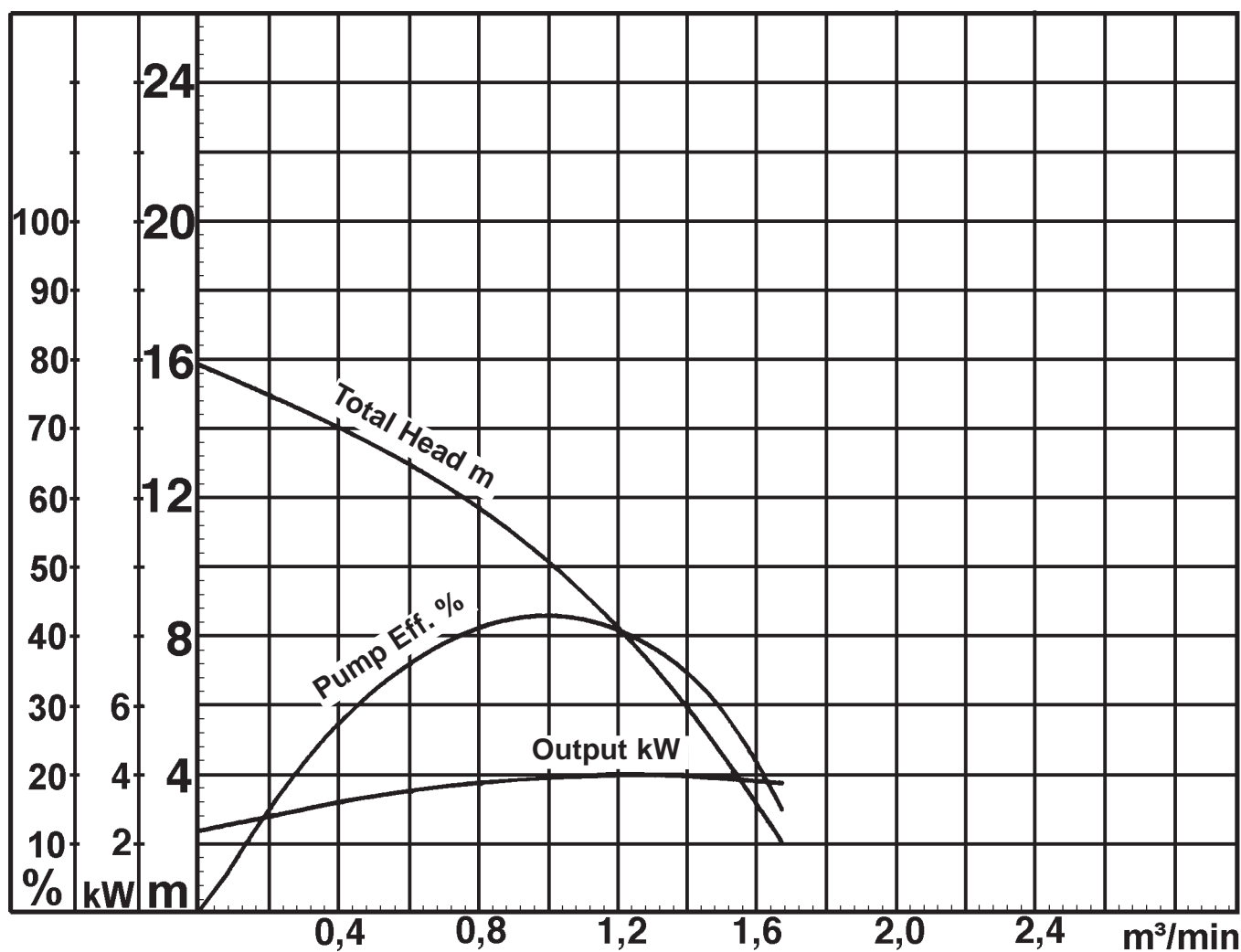
KRS2-80

No.	Description	Qty.	Remarks	No.	Description	Qty.	Remarks
1	Cabtyre Cable	1	20m H07RN-F 4Cx2,5mm ²	52A	Upper Bearing	1	6305ZZC3
6	Stuffing Box	1	FC200 (EN-GJL-200)	52B	Lower Bearing	1	6308ZZC3
20	Pump Casing	1	FC200 (EN-GJL-200)	53	Motor Protector	1	
21	Impeller	1	Chromium Iron Casting	54	Shaft	1	SUS420J2 (EN-X30Cr13)
22	Suction Cover	1	FC200 (EN-GJL-200)	55	Rotor	1	
23	Strainer Stand	1	Steel Plate / Steel Pipe	56	Stator Complete	1	
24	Agitator	1	Chromium Iron Casting	60	Bearing Housing	1	FC150 (EN-GJL-150)
25	Mechanical Seal	1	H-30	64	Motor Frame	1	FC150 (EN-GJL-150)
26	Oil Seal	1	DD-355511	68	Handle	1	Galvanized Steel Pipe
32	Hose Coupling	1	FC200 (EN-GJL-200)	71	Shaft Sleeve	1	SUS403 (EN- X6Cr13)
33	Suction Plate	1	Chromium Iron Casting				
35	Oil Plug	1	SUS304 (EN-X5CrNi18-10)				
36	Lubricant		Turbine Oil (ISO VG32)				
50	Motor Bracket	1	FC150 (EN-GJL-150)				

Pump Performance Curve

KRS2-80

Discharge Bore	80 mm
Total Head	10 m
Capacity	1,0 m ³ /min
Motor Output	4,00 kW
Motor Input	5,29 kW
Phase	3
Voltage	400 V
Frequency	50 Hz
Rated Current	9,5 A
Starting Current	83,0 A
Poles	4
Revolution	S.S. 1435 r.p.m.
Starting Method	direct on line
Insulation Class	E



KRS2-80 (104G795-1)